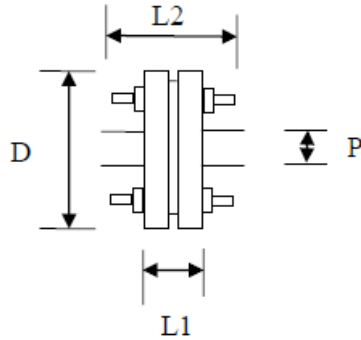


38 McDowell Street, Welshpool, Western Australia 6106
 Telephone: 1300 798 279 or +61 8 9251600 Fax: +61 8 9350 9286
 Email: sales@klinger.com.au or exports@klinger.com.au
<http://www.klinger.com.au>

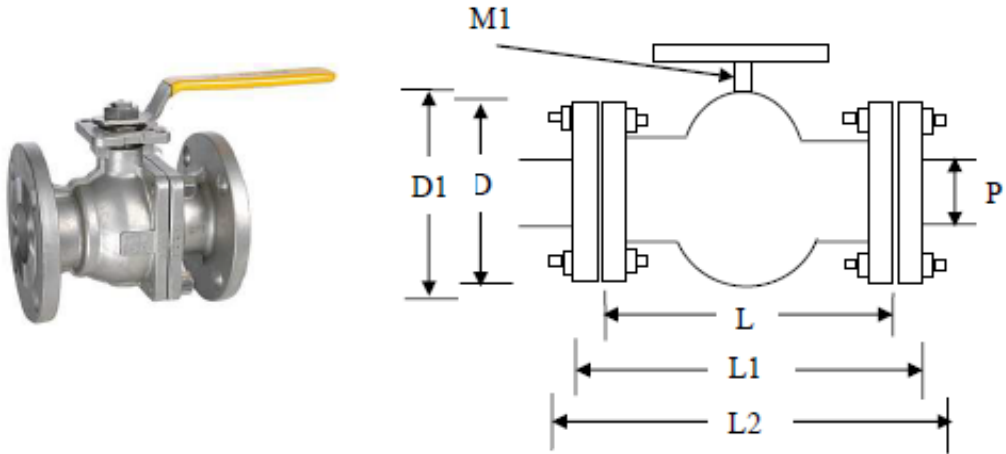
Enquiry forms Spray Shields

Flange Safety
 Spray Shield
 Dimensional Data
 FLG01



Qty	Size	Rating	P Pipe OD	D Flange OD	L1 F-F Overall Width	L2 Bolt Length (if longer than normal)

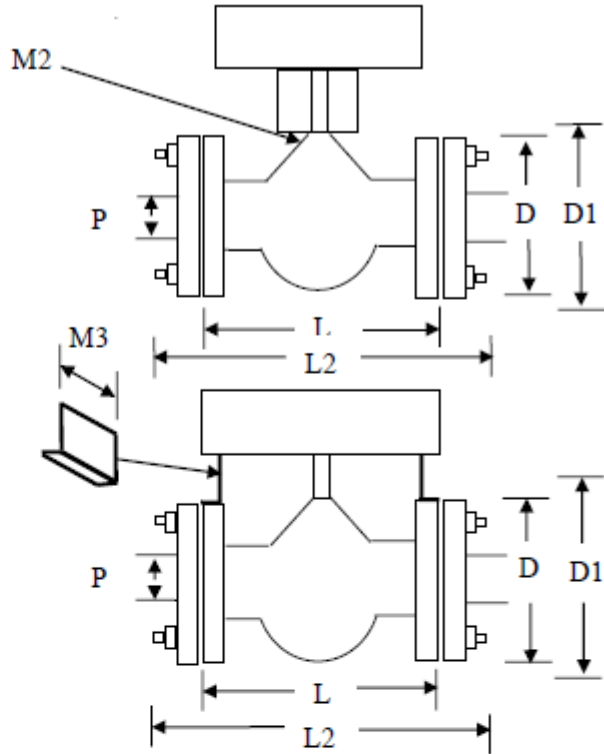
Custom Valve Safety Spray Shield
Ball Valves-Flanged End. Drawing# BVF01



Dimensional Data

Qty	Size	Rating	P Pipe OD	D Flange OD	D1 Valve Body OD (if larger than flange OD)	L Valve Length	L1 Overall Width	L2 Bolt Length	M1 Stem Diameter

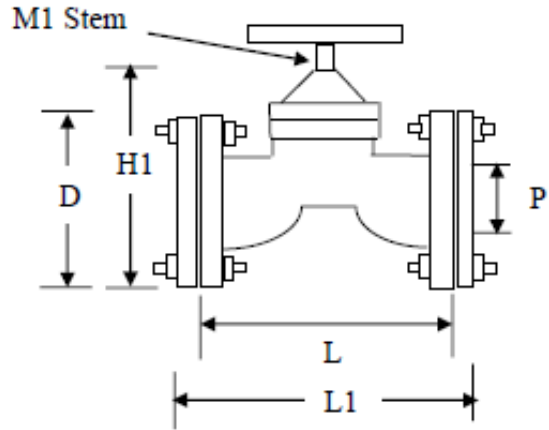
Flange Safety Spray Shield Dimensional Data for Valve Shields Ball
Valves-Actuated-Flanged End
Drawing# BVF-A01



Dimensional Data

Qty	Size	Rating	P Pipe OD	D Flange OD	D1 Valve Body OD (if larger than flange od)	L Valve Length	L2 Bolt Length	M1 Stem Diameter	M2 Width x length (under bracket)	M3 Mounting Bracket Width

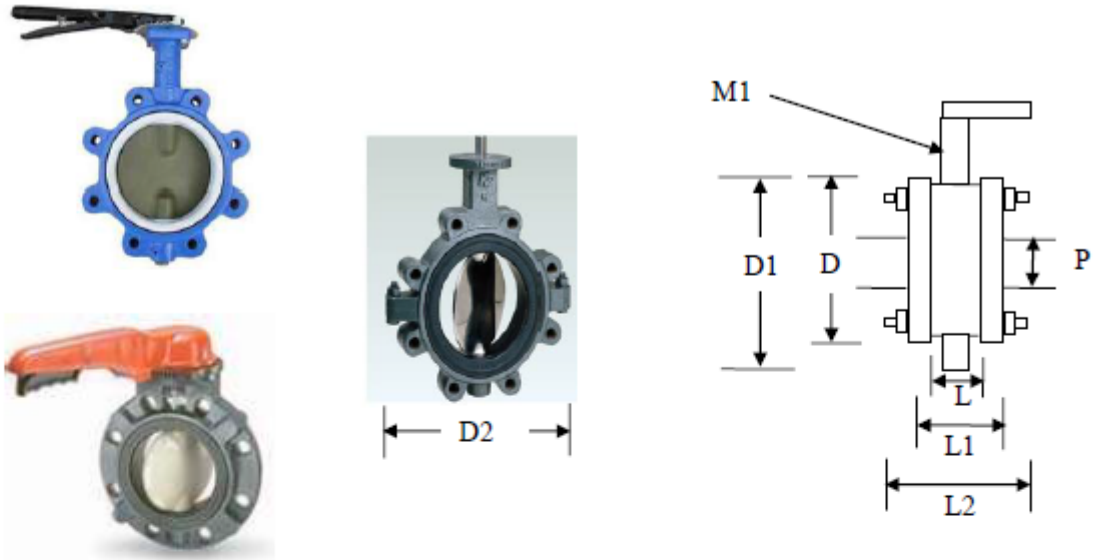
Safety Spray Shield Dimensional Data for Valve Shields
 Diaphragm Valves-Flanged End
 Drawing# DV-01



Dimensional Data
 (minimum dimensions needed)

Qty	Size	Rating	P Pipe OD	D Flange OD	L Valve Width	L1 Overall Width	H1 Valve Height	M1 Stem Diameter or Width x Length

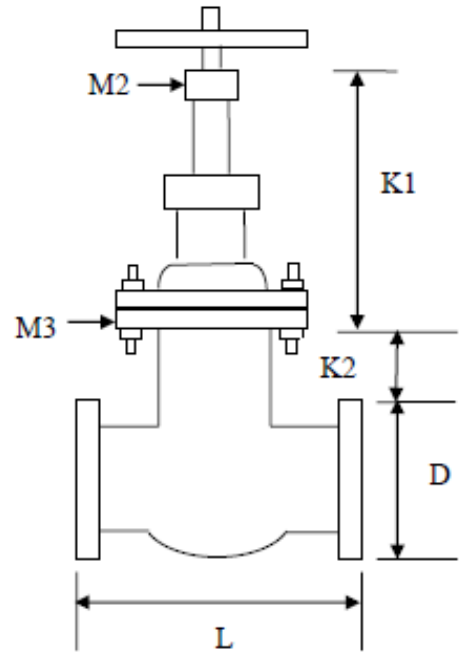
Valve Safety Spray Shield
Dimensional Data Request
Butterfly Valves-Wafer & Lug Style
Drawing# BFV02



Dimensional Data

Qty	Size	Rating	P Pipe OD	D Flange OD	D1 Valve Body OD (if extends beyond flange od at bottom)	D2 Valve Body Width (if extends beyond flange od at sides)	L Valve Width	L1 Overall Width	L2 Bolt Length	M1 (Round) Neck Diameter	M1 (Non-round) Neck Width x Depth

Bonnet Safety Spray Shields Dimensional Data for
 Bonnet Shields Gate Valves & Globe Valves
 Drawing# GTV01

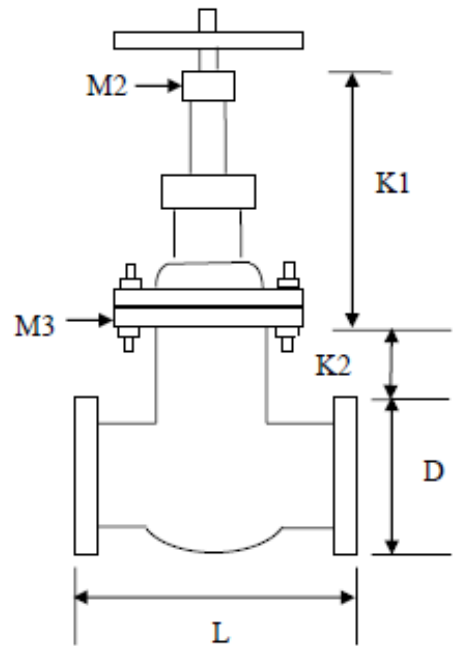


Dimensional Data
 (minimum dimensions needed)

Qty	Size	Rating	D	K1	M2 Upper		M3 Bonnet Flange	
					Round OD	Rectangular Width x length	Round OD	Rectangular Width x length

Note: Flange Shields not included as component of Bonnet Shields, and must be ordered separately.

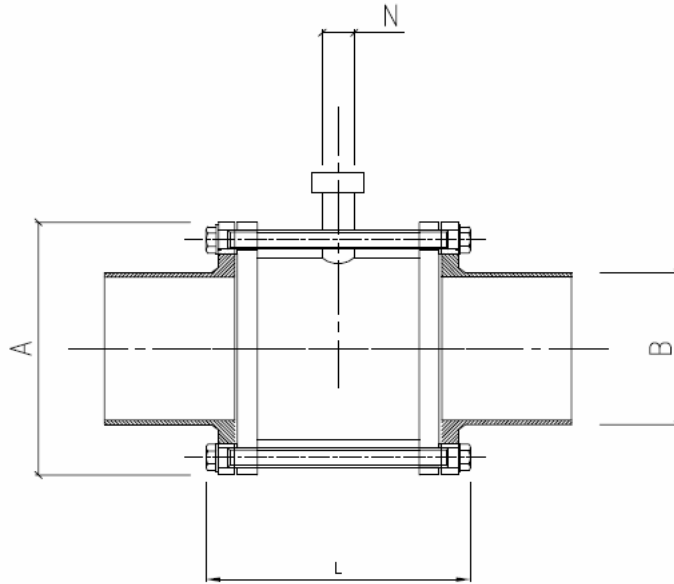
Bonnet Shield & Valve Body Shield
 Combo Safety Spray Shield
 Dimensional Data Chart Gate Valves & Globe Valves
 Drawing# GTV02



Dimensional Data
 (minimum dimensions needed)

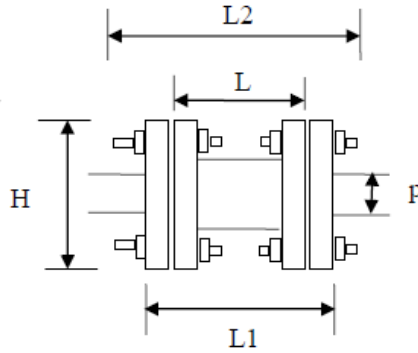
Qty	Size	Rating	D	K1	M2 Upper		M3 Bonnet Flange	
					Round OD	Rectangular Width x length	Round OD	Rectangular Width x length

Flange Safety Spray Shield Dimensional Data for Flange with Nozzle



Qty	Size	Rating	A	B	L	N

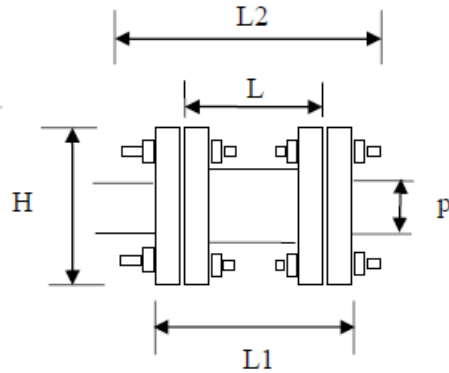
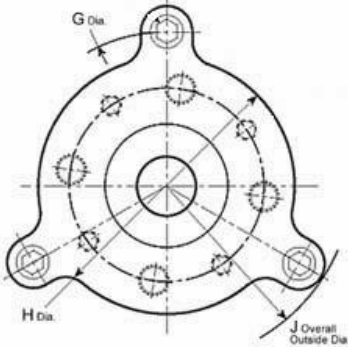
Flange Safety Spray Shield Dimensional Data
for
Expansion Joint/Bellows or Flex Hose with round flanges
Drawing# EJRO1



Dimensional Data

Qty	Size	H Flange OD	P Pipe OD	L Joint Length	L1 Overall Length	L2 Bolt Length

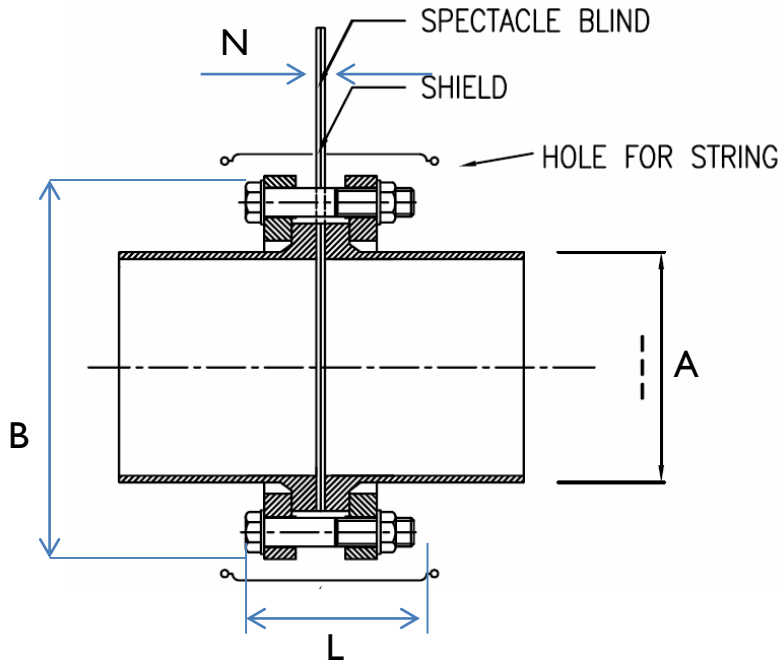
Flange Safety Spray Shield Dimensional Data for Expansion Joint/Bellows with triangular flanges & external limit bolts Drawing# EJT01



Dimensional Data

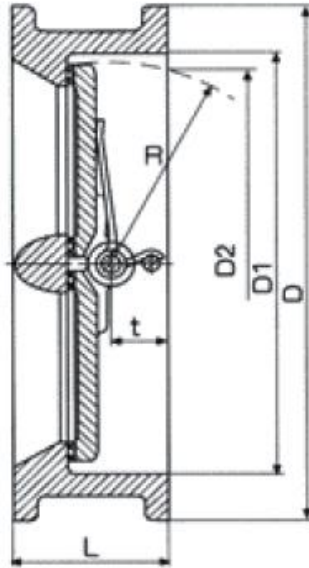
Qty	Size	P Pipe OD	G Bolt Circle Diameter	H Flange OD	J Overall Diameter	L Joint Width	L1 Overall Length	L2 Bolt Length

Flange Safety Spray Shield Dimensional Data for Spectacle Blind Flanges



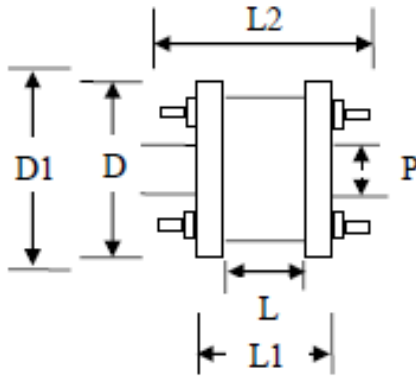
Qty	Size	Rating	A	B	L	N	Width of handle

Flange Safety Spray Shield Dimensional Data for Wafer Check valves



Qty	Size	Rating	D	L

Flange Safety Spray Shield
 Dimensional Data for Flange with spacer or Wafer
 Check Valve. Drawing# FLG02



Dimensional Data

Qty	Size	Rating	P Pipe OD	D Flange OD	D1 If larger than flange od	L Extra Width (spacer, etc.)	L1 Overall Width	L2 Bolt Length

Flange Safety Spray Shield Dimensional Data
Special requirements
Please provide sketch and sizes

Qty						